



### LUMINAIRE SPECIFICATIONS

• Power	40W 60W 75W
• Fitting Material	Non-Corrosive Cast Aluminium
• Fitting Color	Black / Light Grey
• Optical Cover	Tempered Glass
• Ingress Protection	IP66
• Impact Protection	IK08
• Voltage	220 ~ 240 Vac 50 / 60Hz
• Power Factor	≥0.9 (at Full Load)
• Operating Temperature	-30 ~ 40°C
• Installation	Ø60mm / Ø76mm (Upon Request) Post Top or Round Bar
• Surge Protections	4KV
• Pre - Wire	1.5m

### LED MODULE SPECIFICATIONS

• LED Chips	3030
• Color Temperature	3000K Warm White 4000K Neutral White
• Color Rendering Index (CRI)	RA >70
• L70	50,000 Hrs @ 25°C
• Beam Angle	Type V (140° x 140°)
• PCB Material	Metal Core

### COMPLIANCE STANDARD

• LED	LM80, UL, RoHS
• Driver	CE, EN62493, EN61347, EN50581, EN55015, EN61000, EN61547, EN62384



### APPLICATION

- Courtyard, Garden, Community, Causeway

### MEASUREMENT & ORDER CODE

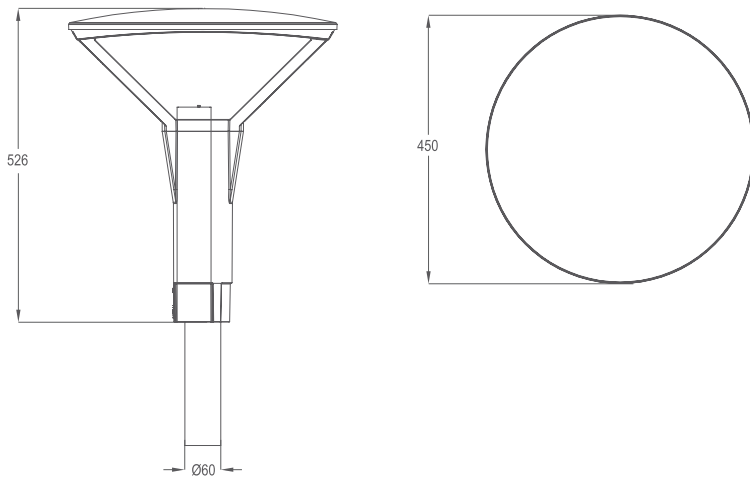
WATTAGE	LUMEN	CONSUMPTION	CARTON DIMENSION (L x W x H) mm	NETT WEIGHT
40W	4800lm	42W	530 x 530 x 245	7.5 kg
60W	7200lm	63W	530 x 530 x 245	7.5 kg
75W	9000lm	79W	530 x 530 x 245	7.5 kg

\* Please indicate LED color temperature when ordering.

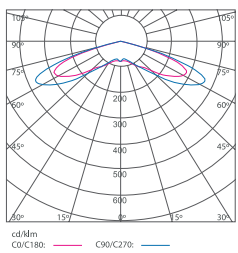
\* All result tested base on 3000K CCT LEDs.



## DIMENSION



## PHOTOMETRIC



Note: All specifications are subject to change without prior notice for product improvement. Images, pictures, and illustrations used are for illustrative purposes only and the color printed may differ from the actual product.