



LUMINAIRE SPECIFICATIONS

• Power	60W 90W 120W 150W
• Fitting Material	Non-Corrosive Cast Aluminium
• Fitting Color	Black
• Optical Cover	Tempered Glass
• Ingress Protection	IP66
• Impact Protection	IK08
• Voltage	220 ~ 240 Vac 50 / 60Hz
• Power Factor	≥0.9 (at Full Load)
• Operating Temperature	-30 ~ 40°C
• Installation	Ø60mm Post Top or Side Entry
• Surge Protections	6KV
• Pre - Wire	0.8m

FEATURES

• NEMA	7pin Ready
• Adjustable Spigot	0° - 15°

LED MODULE SPECIFICATIONS

• LED Chips	3030
• Color Temperature	3000K Warm White 4000K Neutral White
• Color Rendering Index (CRI)	RA >70
• L70	50,000 Hrs @ 25°C
• Optic	Type III (135° x 90°)
• PCB Material	Metal Core

COMPLIANCE STANDARD

• LED	LM80, UL, RoHS
• Driver	CE, EN62493, EN61347, EN50581, EN55015, EN61000, EN61547, EN62384



APPLICATION

- Parking Lot, Pathway, Community, Causeway, Footpath, Access Ways, Residential Area

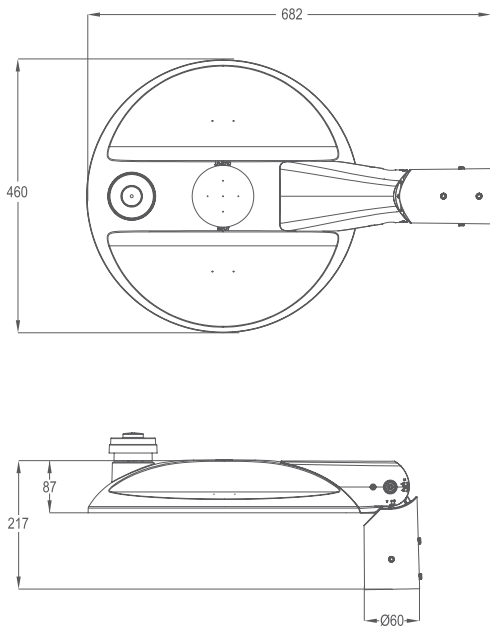
MEASUREMENT & ORDER CODE

WATTAGE	LUMEN	CONSUMPTION	CARTON DIMENSION (L x W x H) mm	NETT WEIGHT
60W	8160lm	63W	585 x 530 x 175	7.5 kg
90W	12240lm	95W	585 x 530 x 175	7.5 kg
120W	16320lm	126W	585 x 530 x 175	7.5 kg
150W	19800lm	158W	585 x 530 x 175	7.5 kg

* Please indicate LED color temperature when ordering.
* All result tested base on 3000K CCT LEDs.

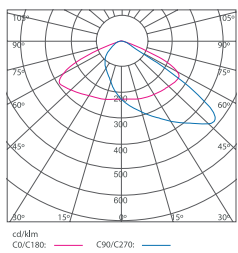


DIMENSION



PHOTOMETRIC

Type III



Note: All specifications are subject to change without prior notice for product improvement. Images, pictures, and illustrations used are for illustrative purposes only and the color printed may differ from the actual product.