



GIANT 450W



GIANT 900W



REMOTE CONTROL GEAR

### LUMINAIRE SPECIFICATIONS

- Power 450W  
900W
- Fitting Material Non-Corrosive Cast Aluminium
- Fitting Color Dark Gray
- Optical Cover Clear Tempered Glass
- Ingress Protection IP66
- Impact Protection IK08
- Voltage 220 ~ 240 Vac 50 / 60 Hz
- Power Factor ≥ 0.9 (at Full Load)
- Operating Temperature -30 ~ 45°C
- Installation Hot Deep Galvanized Bracket
- Surge Protections 10KV, 20 kA

### OPTIONAL FEATURES

- Beam Angle 30°, 60°, 90°, Asymmetrical

### LED MODULE SPECIFICATIONS

- Color Temperature 3000K, 5700K (Other CCT Upon Request)
- LED Chips 5050
- Color Rendering Index (CRI) Ra >70
- L70 100,000 Hrs @ 25°C
- PCB Material Metal Core

### COMPLIANCE STANDARD

- LED LM80, UL, RoHS
- Driver CE, EN62493, EN61347, EN50581, EN55015, EN61000, EN61547, EN62384

### APPLICATION

- Sport Lighting, Stadium Lighting, Jetties, Highmast

### MEASUREMENT & ORDER CODE

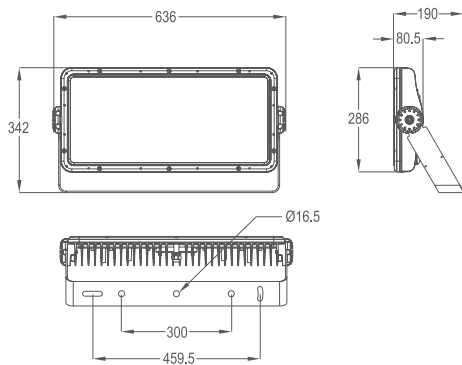
WATTAGE	NO. OF LEDS	LUMEN	CONSUMPTION	NETT WEIGHT
450W	240	66000	450W	11 kg + 8.2 kg
900W	480	132000	900W	23 kg + 10.8 kg

\* Please indicate LED color temperature and optic when ordering.  
\* All result tested base on 5700K CCT LEDs.

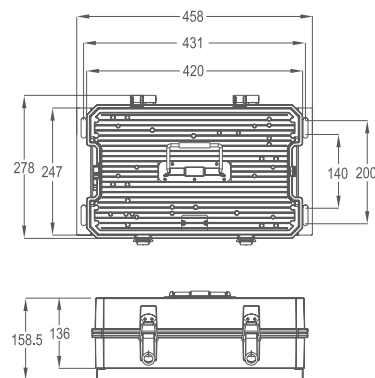


## DIMENSION

### GIANT 450W

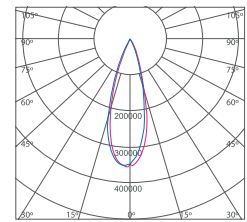


### Remote Control Gear

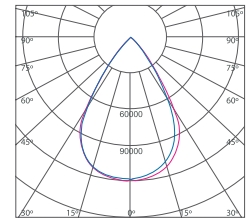


## PHOTOMETRIC

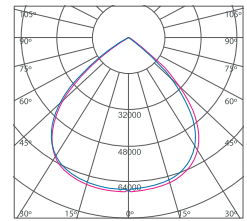
### 30°



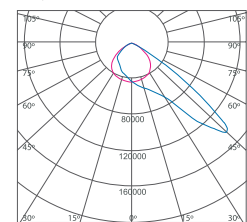
### 60°



### 90°



### Asymmetrical Beam



### GIANT 900W

