

Description



The iLCS Data Control Unit (DCU) offers a robust construction with a sleek design carrying LED status indicators and external power button. The internal components have been designed to provide improvements in terms of network reliability and stability.

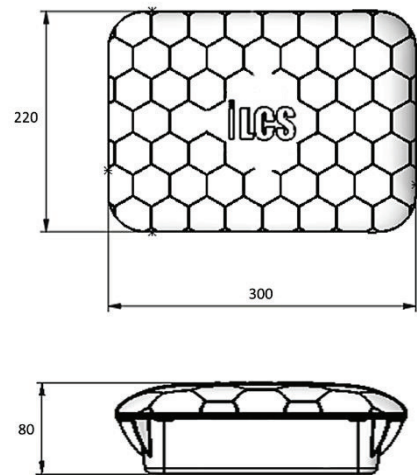
The DCU allows to manage and to acquire data from all the iLCS LCUs and other iLCS smart devices by using state-of-the-art autonomous wireless mesh connectivity.

The DCU has built-in data hardware encryption and VPN configuration to allow a secure transmission of data to the iLCS Cloud platform.

Technical Specifications

Product code	ILCS-DCU v2.0
Power supply	+24Vdc via Power over Ethernet (PoE)
Power consumption	4 W (max)
Network	IEEE 802.15.4 @ 2.4 GHz Proprietary autonomous wireless mesh Up to +20 dBm Tx power
Coverage range	Up to 1 km for a single link in LoS
Network capacity	Up to 150 nodes
Security	256-bit hardware encryption
Housing material	Polycarbonate Makrolon AL2447 IP66 environmental protection IK08 impact protection
LED indicators	Power LED Status LED
Features	Power button RF hardware redundancy Integrated hardware supervisor High-precision RTC with battery backup LTE module (optional)
Operating temperature	-25°C to +70°C
Weight	1.5 kg
Size	300 x 200 x 80 mm

Product Size



Optional

IP65 DCU Control Gear Box

