



LUMINAIRE SPECIFICATIONS

• Power	75W 100W
• Fitting Material	Non-Corrosive Die-Cast Aluminium
• Fitting Color	Dark Gray, Akzo Nobel RAL7012
• Optical Cover	95% Transparency Tempered Glass
• Ingress Protection	IP66
• Impact Protection	IK08
• Voltage	220 ~ 240 Vac 50 / 60Hz
• Electrical Safety Class	Class I
• Operating Temperature	-30 ~ +45°C
• Installation	Ø48 - 60mm Side Entry
• Surge Protections	10KV, 20KA

OPTIONAL FEATURES (UPON REQUEST)

• Driver	Time Control, DALI, 1-10V Dimming, Full Programmable
• Optics	Type I, Type II, Type III or Type IV Lens
• Control	Intelligent Light Control System
• Sensor	Mini Photocell, NEMA Photocell

LED MODULE SPECIFICATIONS

• Color Temperature	3000K Warm White 4000K Neutral White 5000K Cool White
• Color Rendering Index (CRI)	>70
• L70	100,000 Hrs @ 25°C
• PCB Material	Ceramic (Alumina Substrate)
• PCB Trace	Silver Conductor (Ag)
• SMD Connector	WAGO 2060 Series

COMPLIANCE STANDARD

• LED	LM80, UL, RoHS
• Driver	CE, EN62493, EN61347, EN50581, EN55015, EN61000, EN61547, EN62384
• Luminaire	LM79, EN60598-1, EN60598-2-3, EN62493, EN55015, EN61547, EN61000, EN62471, CISPR 15



APPLICATION

- Residential Areas, Municipal, Expressway & Facade Lightings

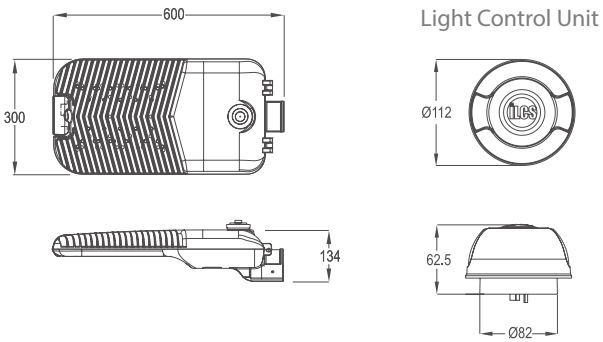
MEASUREMENT & ORDER CODE

WATTAGE	ORDER CODE	NO. OF LEDs	TYPICAL LUMINOUS FLUX	TYPICAL WATTAGE	CARTON DIMENSION (L x W x H) mm	NETT WEIGHT
75W	K09121 EA 75W	36	10800	83	660 x 360 x 210	9.0 kg
100W	K09121 EA 100W	48	13840	105	660 x 360 x 210	9.0 kg

* Please indicate LED color temperature and optic when ordering.
 * Programmable dimming LED driver is available upon request.
 * All result tested base on 5000K CCT LEDs.

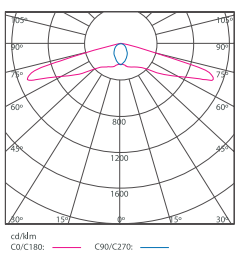


DIMENSION

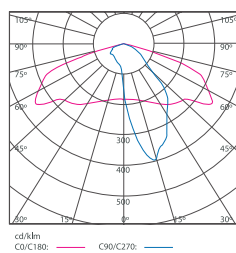


PHOTOMETRIC

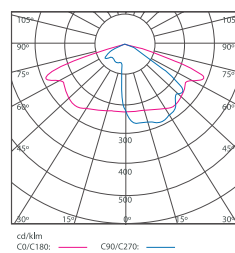
Type I



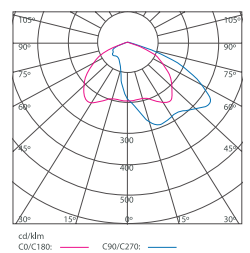
Type II



Type III



Type IV



Note: All specifications are subject to change without prior notice for product improvement. Images, pictures, and illustrations used are for illustrative purposes only and the color printed may differ from the actual product.