

features

- electronic current limiting
- incorporated with rectifier fail relay
- boost charging facility
- auxiliary trickle charging facility
- nickel cadmium / lead acid battery selection
- maximum charging current is limited to 5A and 10A respectively
- metal bracket fabricated from heavy gauge steel with epoxy finishing
- designed for vertical mounting to obtain good conventional cooling
- suitable for standby generator set battery charging

rated supply voltage

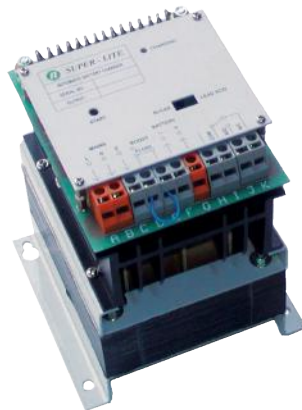
- 240V +/- 10% 50Hz

boost charge voltage for 12/24v batteries

- nickel cadmium battery
- 15 – 15.5Vdc / 30 – 31Vdc
- lead acid battery
- 14.5 – 15Vdc / 29 – 30Vdc

float charge voltage for 12/24v batteries

- nickel cadmium battery
- 14.25Vdc / 28.5Vdc
- lead acid battery
- 13.75Vdc / 27.5Vdc



CS-Series



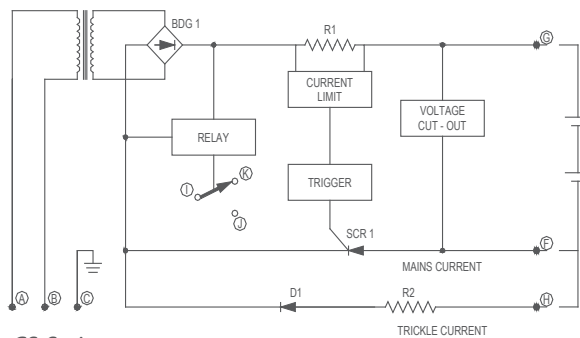
VS-Series

technical specification

model CS-Series	supply voltage	output voltage	charging current (A)	fuse rating (A)	dimension (mm) (h x w x d)	weight (kg)
SABC-CS-1205	240Vac	DC 12V	5A	7.5A	170 x 140 x 135	5.3
SABC-CS-1210	240Vac	DC 12V	10A	15A	170 x 140 x 135	5.8
SABC-CS-2405	240Vac	DC 24V	5A	7.5A	170 x 140 x 135	5.8
SABC-CS-2410	240Vac	DC 24V	10A	15A	215 x 140 x 135	8.6

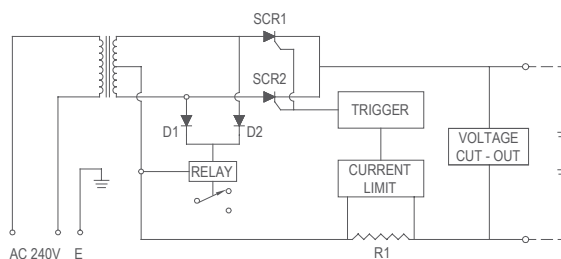
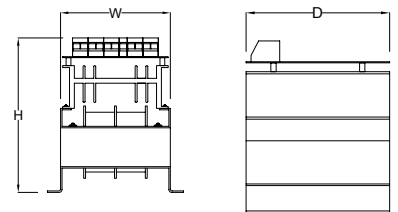
model VS-Series	supply voltage	output voltage	charging current (A)	fuse rating (A)	dimension (mm) (h x w x d)	weight (kg)
SABC-VS-1205	240Vac	DC 12V	5A	10A	138 x 98 x 103	3.0
SABC-VS-2405	240Vac	DC 24V	5A	10A	138 x 98 x 120	4.0

circuit diagram



CS-Series

dimension (CS-Series)



VS-Series

dimension (VS-Series)

